

**C51**

**C51-F660-07 Sink combi 660**

Surfaces: **Chrome** Article Number: **43218000**



## Description

### product features

- consists of: built-in sink, 2-hole single lever kitchen mixer, control unit, hose box, manual waste and overflow set
- material sink: SilicaTec
- number of bowls: 1 main bowl
- tap hole for drilling is predefined (see scale drawing)
- sink depth: 190 mm
- cut-out dimensions: 750 x 490 mm
- cabinet size: 80 cm
- type of installation: topmount
- position overflow: on the right side of the bowl
- connection type: G 3/8 connections
- connection dimension: DN15
- flow rate 8 l/min
- suitable for continuous flow water heaters
- ceramic cartridge
- MagFit magnetic shower support
- integrated non-return valve
- swivel range 150°
- normal spray
- ComfortZone 200
- Select button for a comfortable start/stop of the water flow
- sBox for quiet, smooth and protected hose guidance in the cabinet, under the countertop, with extension length up to 76 cm

## Technology



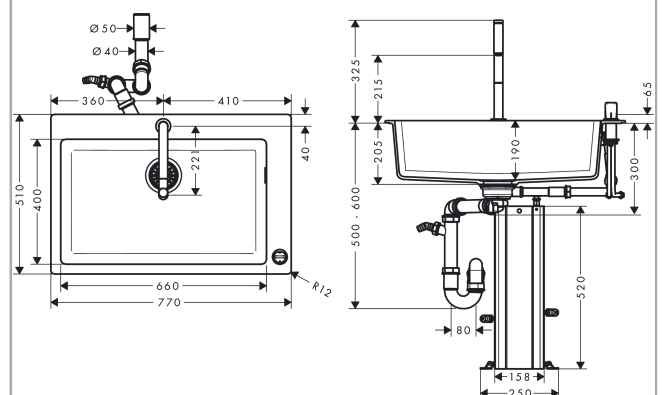
## Design awards



## Product image



## Scale drawing



**C51**

**C51-F660-07 Sink combi 660**

Surfaces: **Chrome** Article Number: **43218000**



**Flowchart**

