



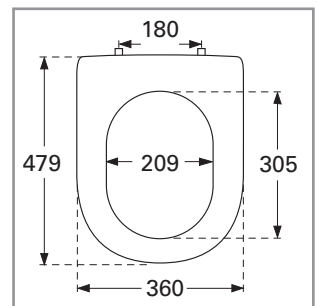
Toilet seat My Nature SC/QR

Model

9M33 S1 My Nature toilet seat with Soft Closing and Quick Release, incl. 9222 24 61 fixed hinge with Quick Release

Product Description

My Nature toilet seat in Wrap Over design made of colour in-grained duroplast with fixed hinge in stainless steel and plastic
 - incl. fixed hinge with Quick Release in stainless steel and plastic
 - centre distance: 180 mm
 - load of ring seat: 240 kg
 - 10 year guarantee



Colour Programme

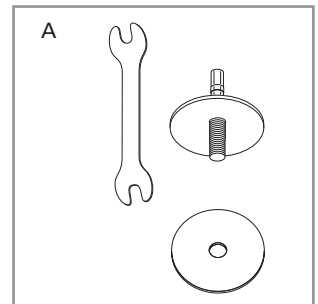
R1 White (Alpin)

Hinge Finish

61 Stainless steel

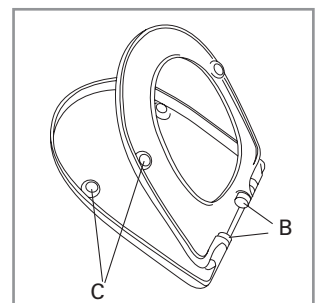
Spare Parts

A) 9222 24 61 Fixed hinge with Quick Release in stainless steel and plastic
 B) 9224 48 00 Soft Closing packet
 C) 9220 94 00 Buffers for seat and cover



Cleaning Instructions

Use a mild soap solution. Seat and hinge should not be left damp, but be dried with a soft cloth. When using abrasive, corrosive or chlorine based cleaners for the bowl, avoid contact with seat and hinge as it may lead to damages or flash rust. Therefore, when cleaning the bowl, make sure that seat and cover are in an upright position until all the cleaner has been flushed away

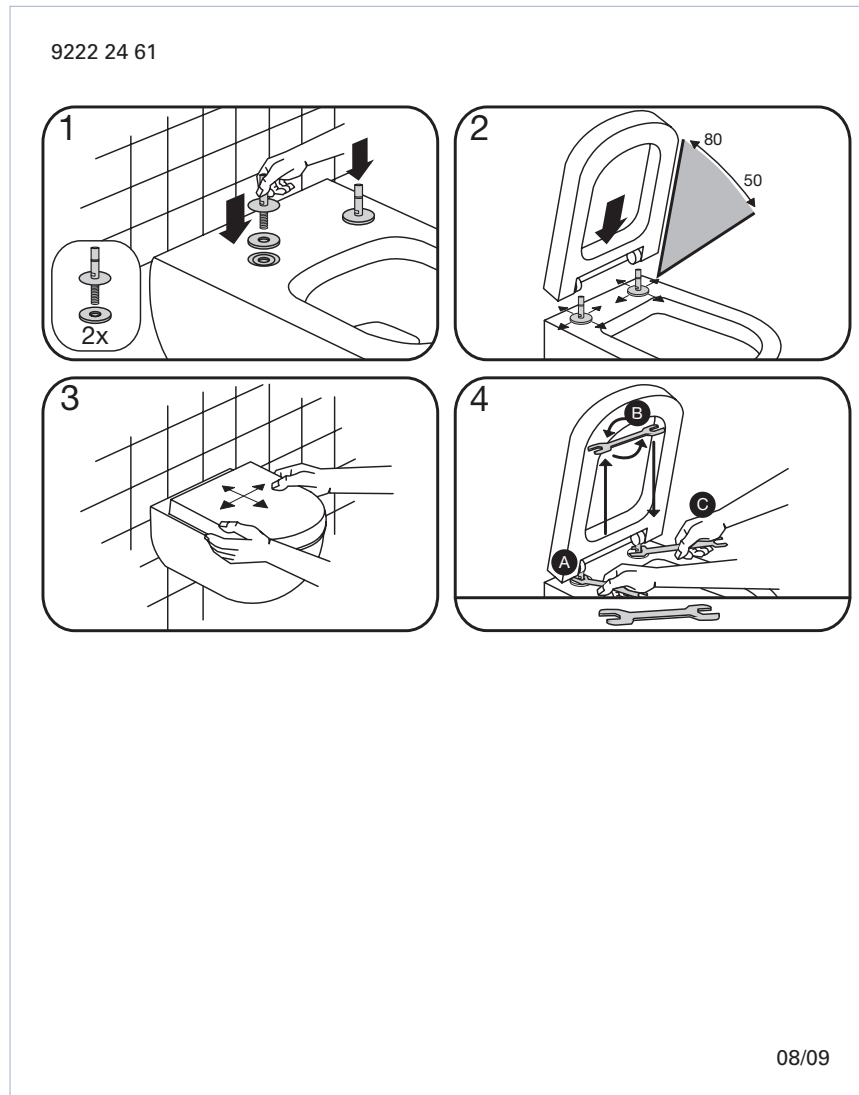


Villeroy & Boch

1748

Toilet seat My Nature SC/QR

Instruction manual



[Click here for video](#)

Material Description

TOILET SEAT: The material is colour ingrained duroplast (UF A 10 = urea formaldehyde) that contains no environmentally hazardous substances. UF plastic comprises 67% urea formaldehyde resin, 28% cellulose, as well as 5% minerals, pigments, lubricants and moisture content. The raw material from the supplier contains less than 0,03% formaldehyde after a special curing process.

BUFFERS: EVA (copolymer made of ethylene and vinyl acetate).

DAMPER KIT: Hydraulic damper with stainless steel damper casing and plastic parts.
Damper liquid: Anti-friction liquid.

MOUNT/HINGE: Stainless steel and plastic.

Guarantee

The guarantee includes faults or defects in the material of our products within a periode of 10 years. Products subject to minor technical modifications and design deviations E. & O.E.