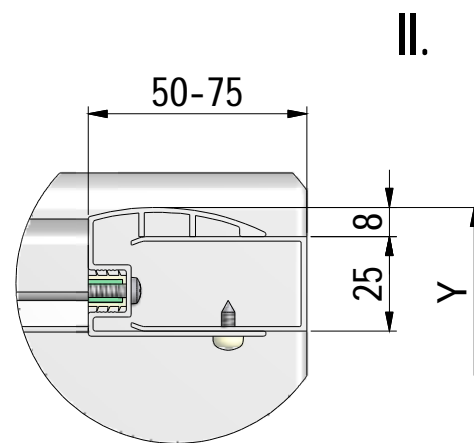
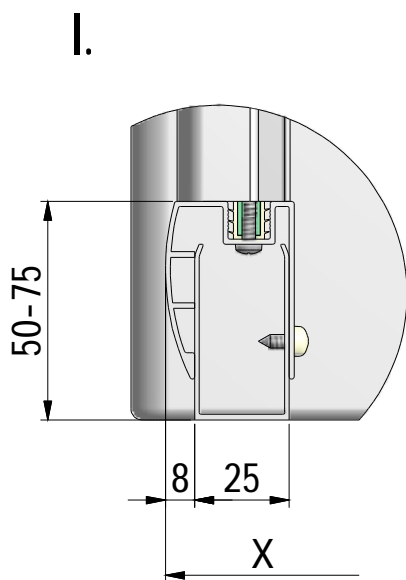
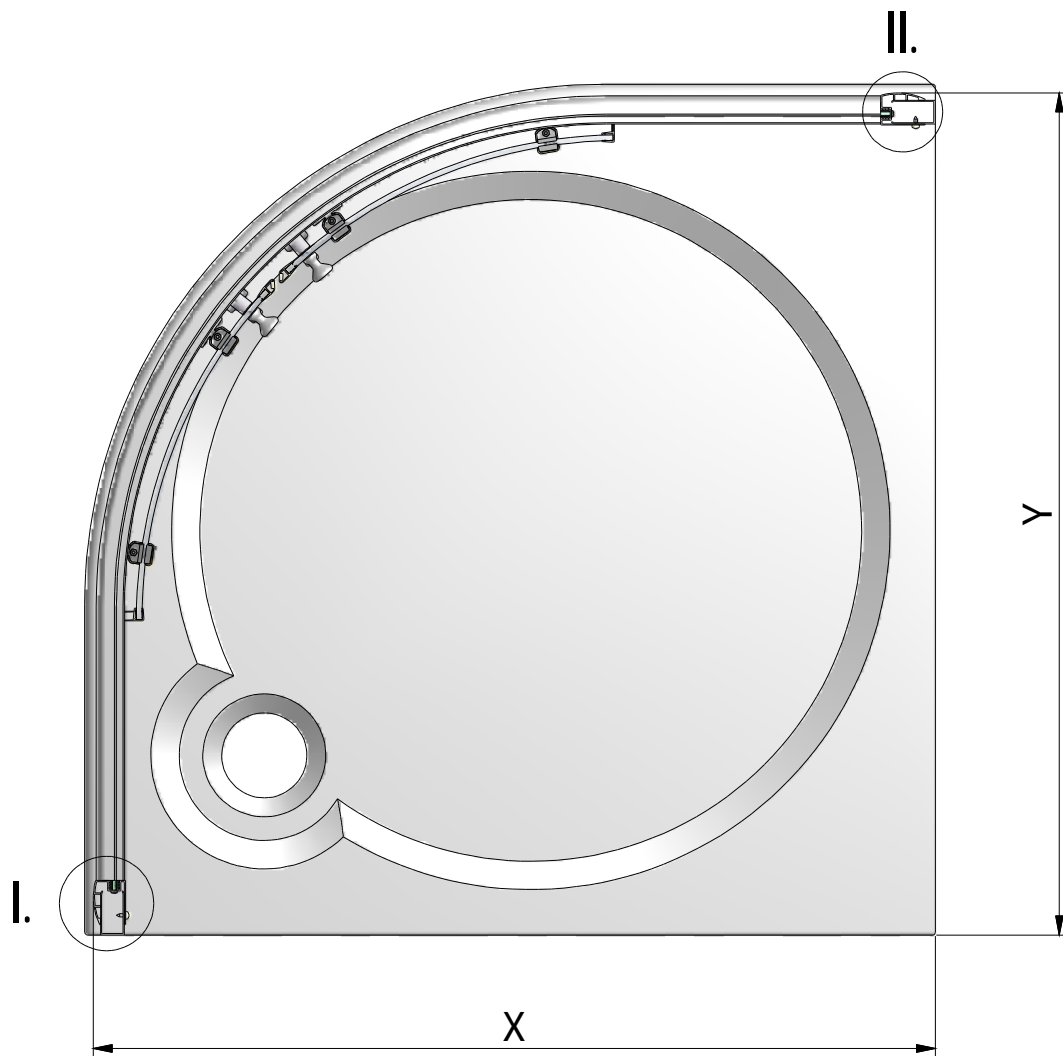


PXR2N



Roltechnik a.s.; Czech Republic, 56933 Třebařov 160,
tel.:+420 461 324 301, fax: +420 461 324 297,
<http://www.roltechnik.com>; e-mail: objednavky@roltechnik.cz

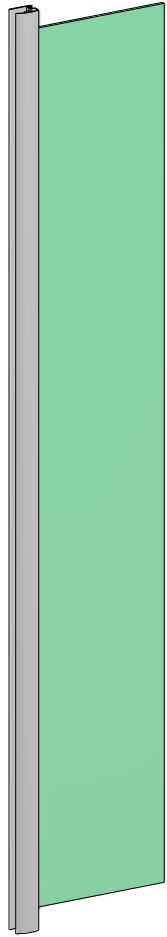


| PXR2N | X | | Y | |
|-----------|-----|------|-----|------|
| | MIN | MAX | MIN | MAX |
| 800x800 | 780 | 805 | 780 | 805 |
| 900x900 | 880 | 905 | 880 | 905 |
| 1000x1000 | 980 | 1005 | 980 | 1005 |

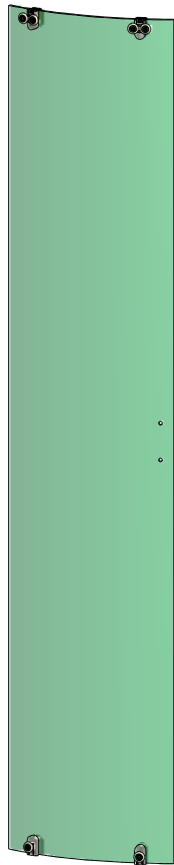
1. 2x



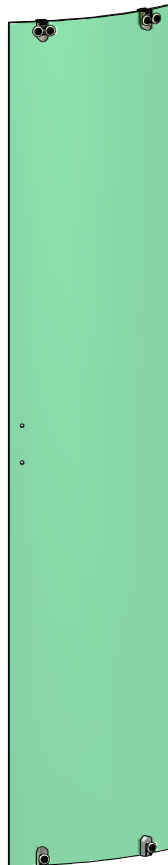
2. 2x



3. 1x



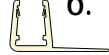
4. 1x



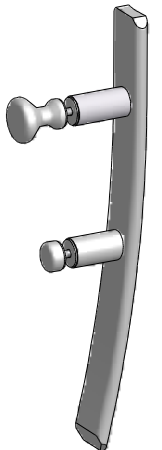
5. 2x



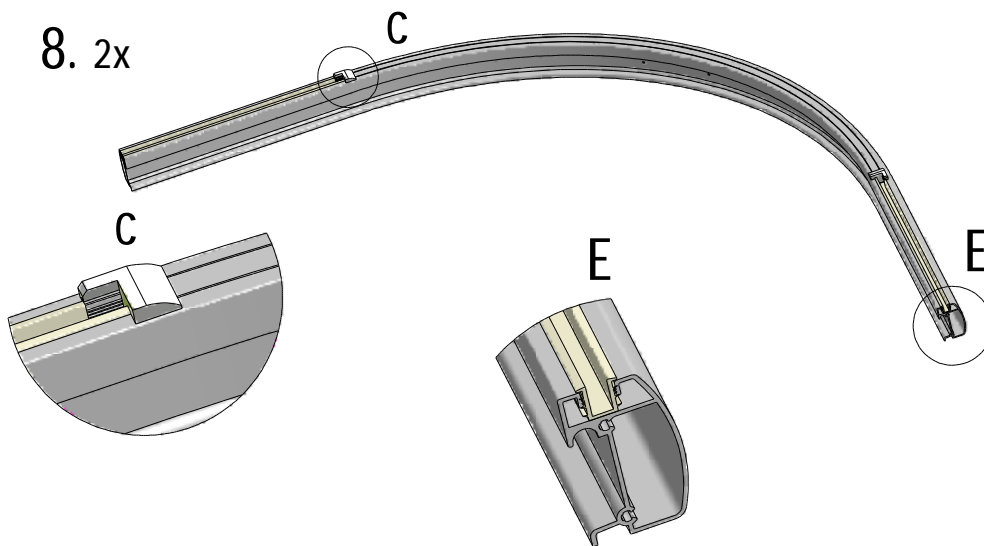
6. 4x



7. 2x

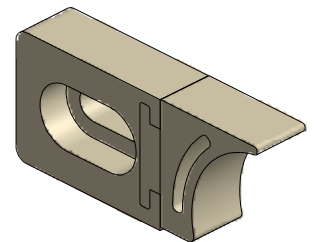


8. 2x



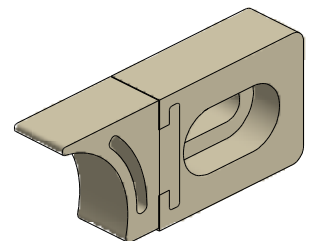
14. 2x

(PXR2N/1000 4x)



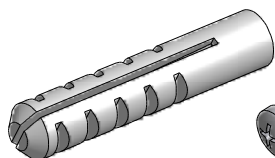
15. 2x

(PXR2N/1000 4x)



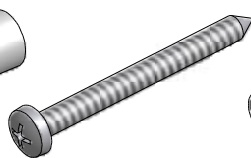
9. 6x

n 6



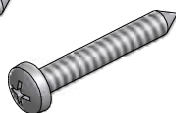
10. 6x

n 3,5x36



11. 8x

n 3,5x28



12. 10x

(PXR2N/1000 14x)

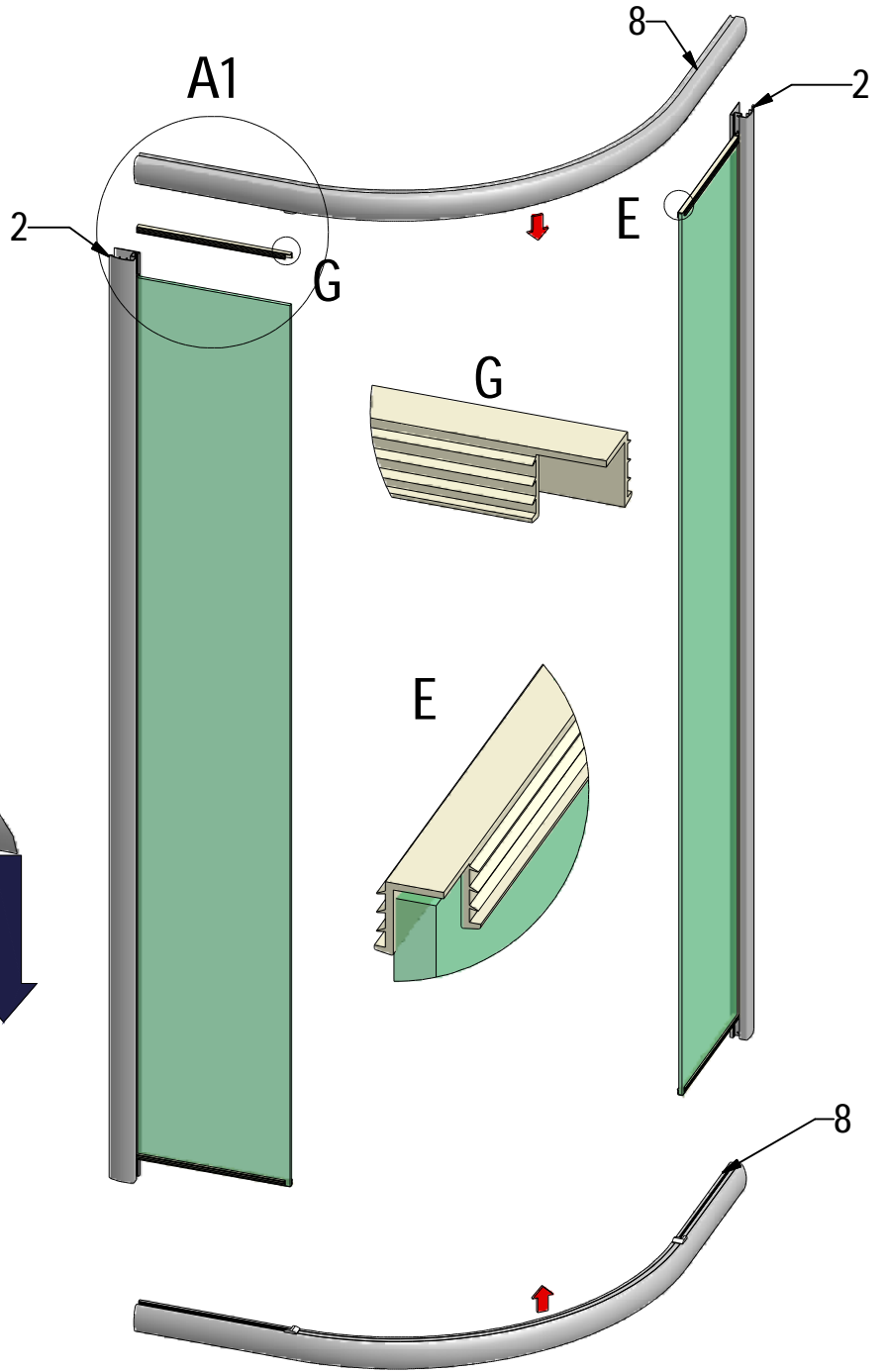
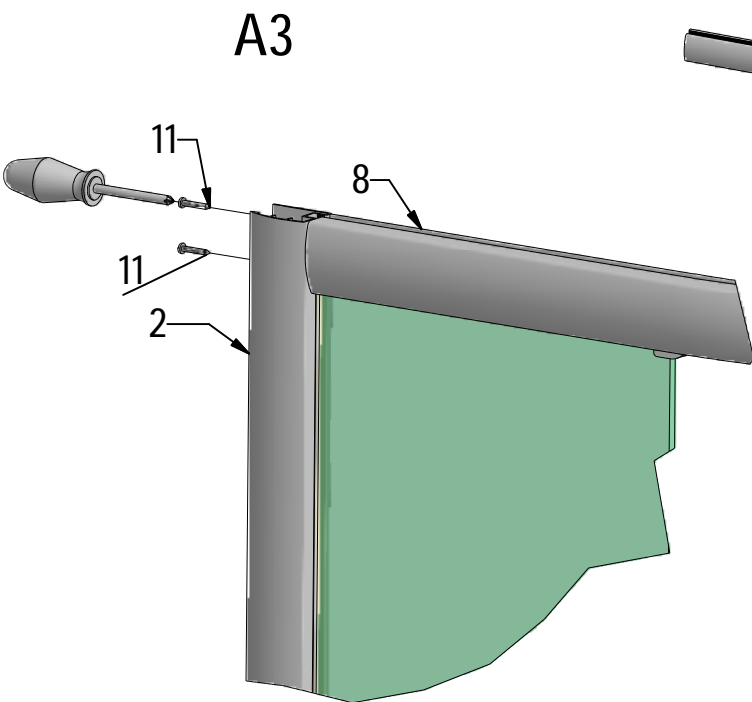
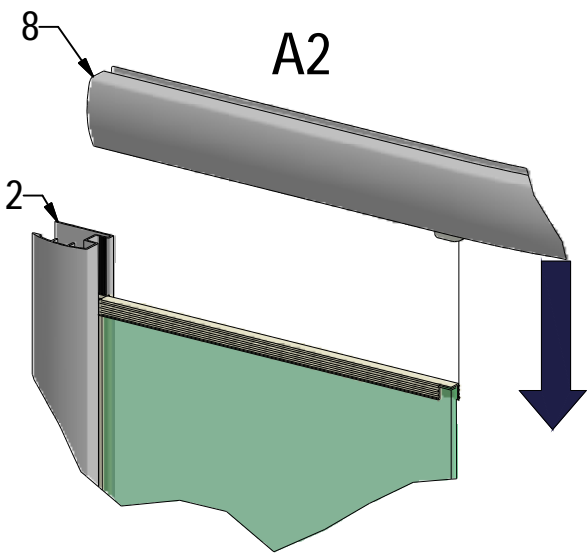
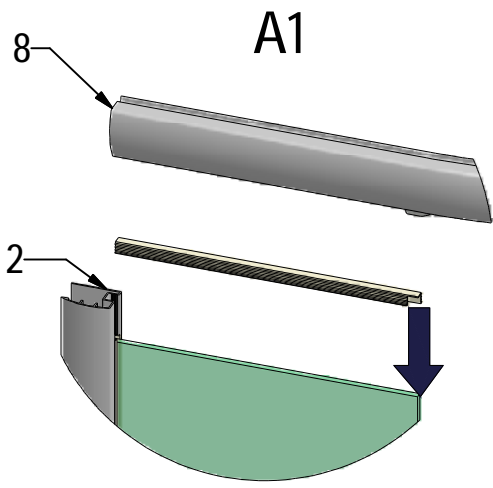
n 3,5x9,5

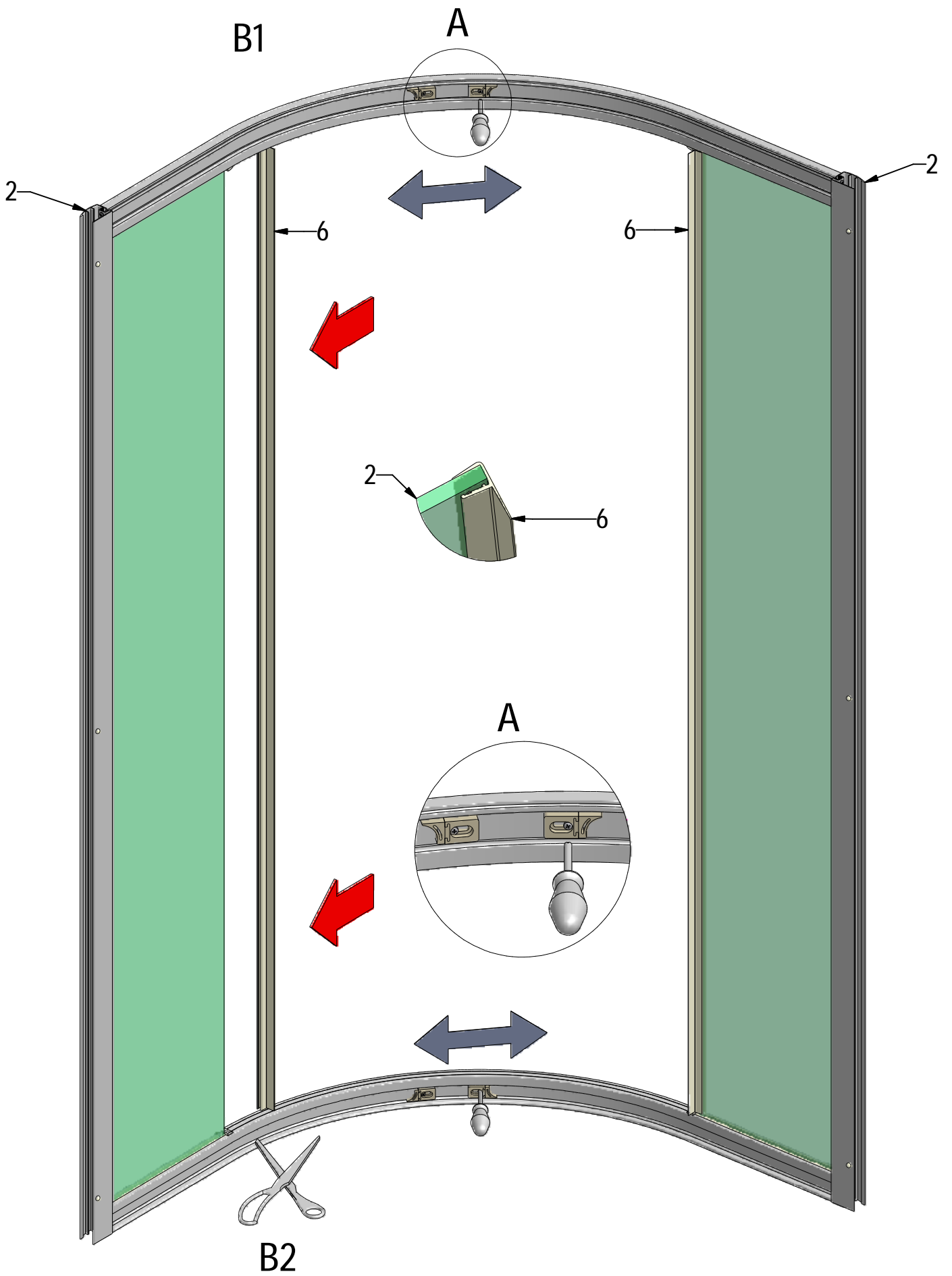


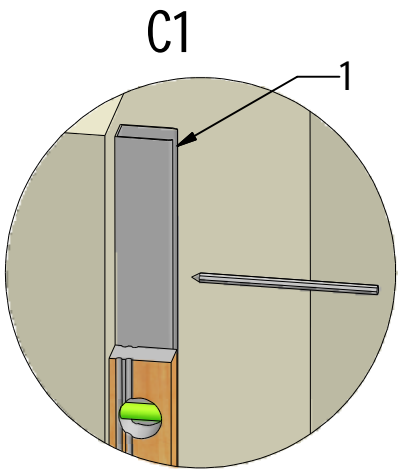
13. 6x

n 8

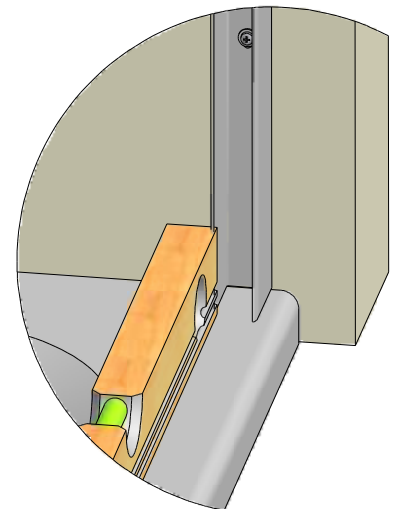
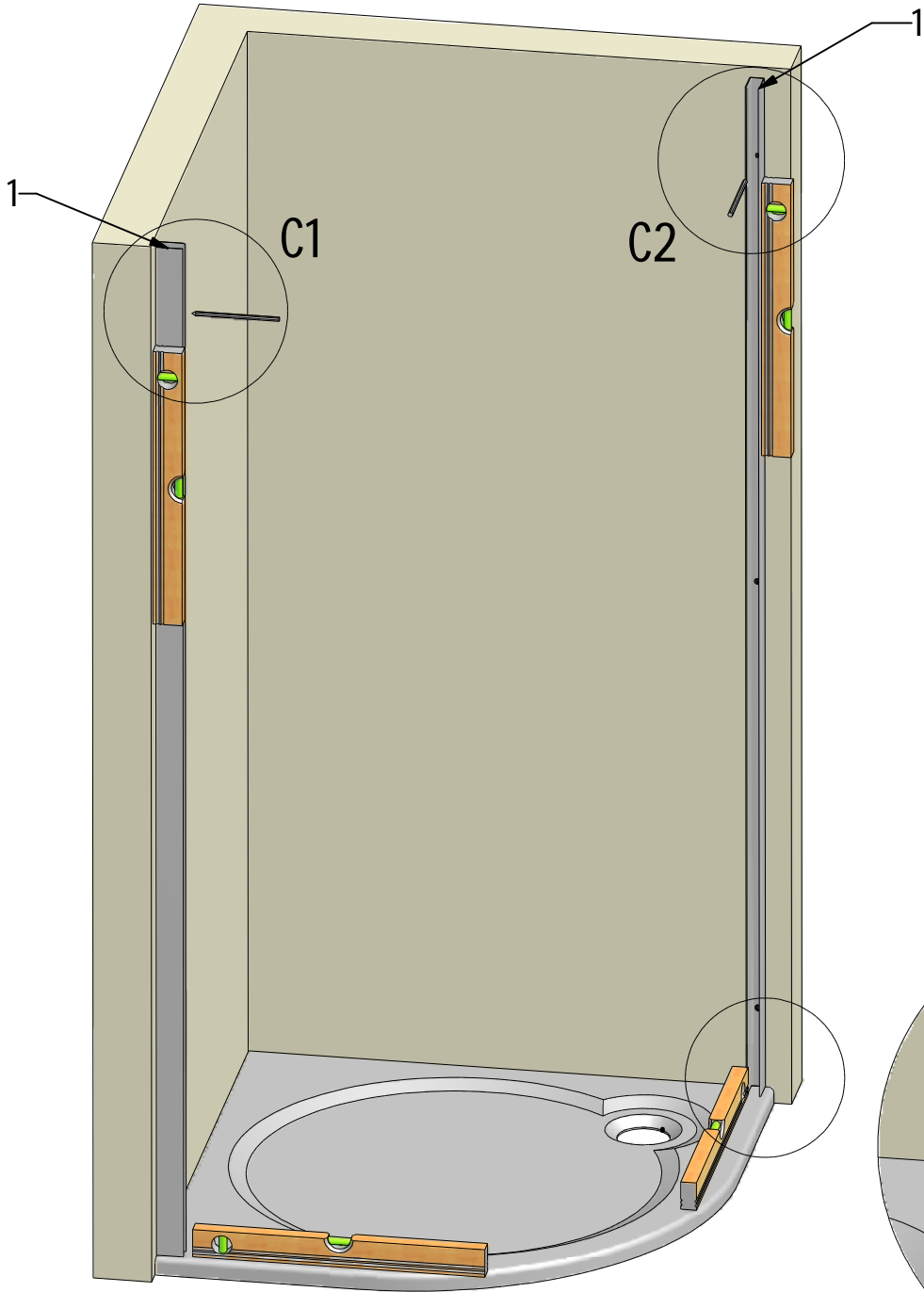
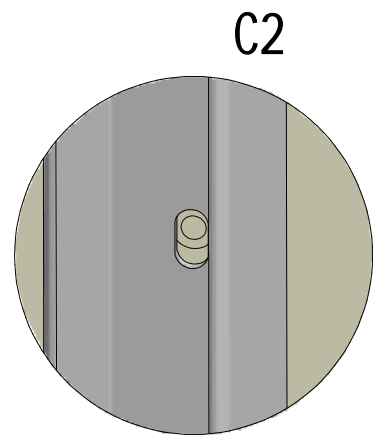
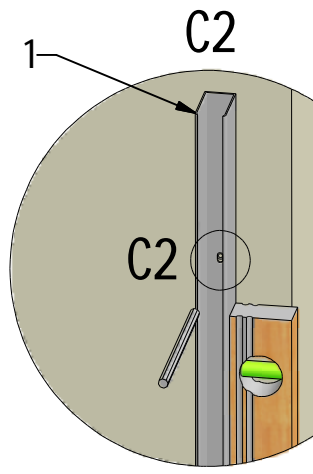


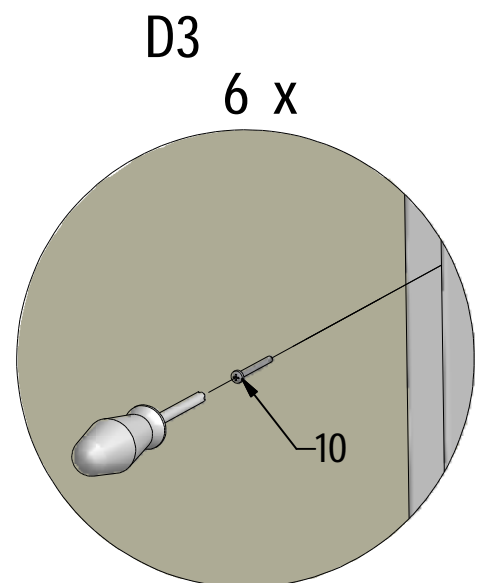
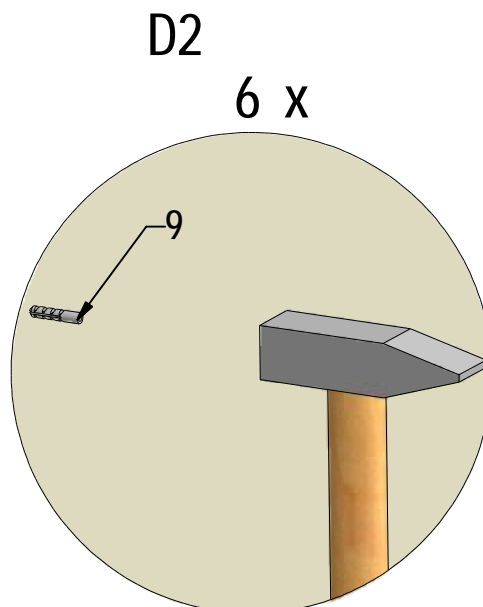
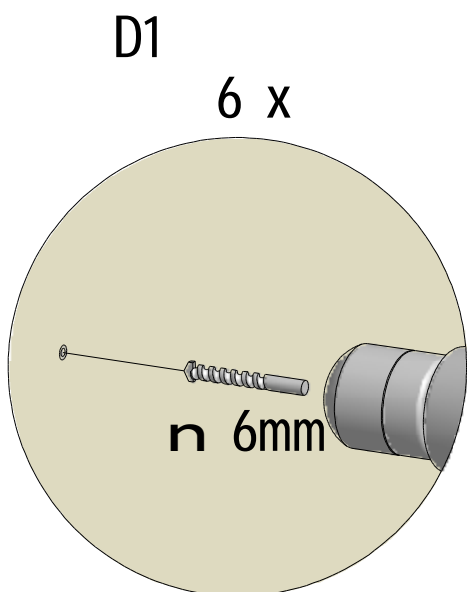
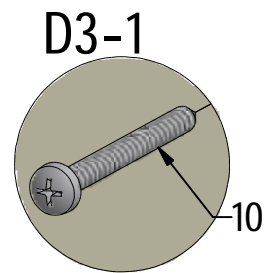
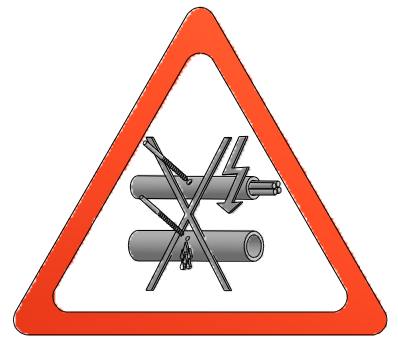
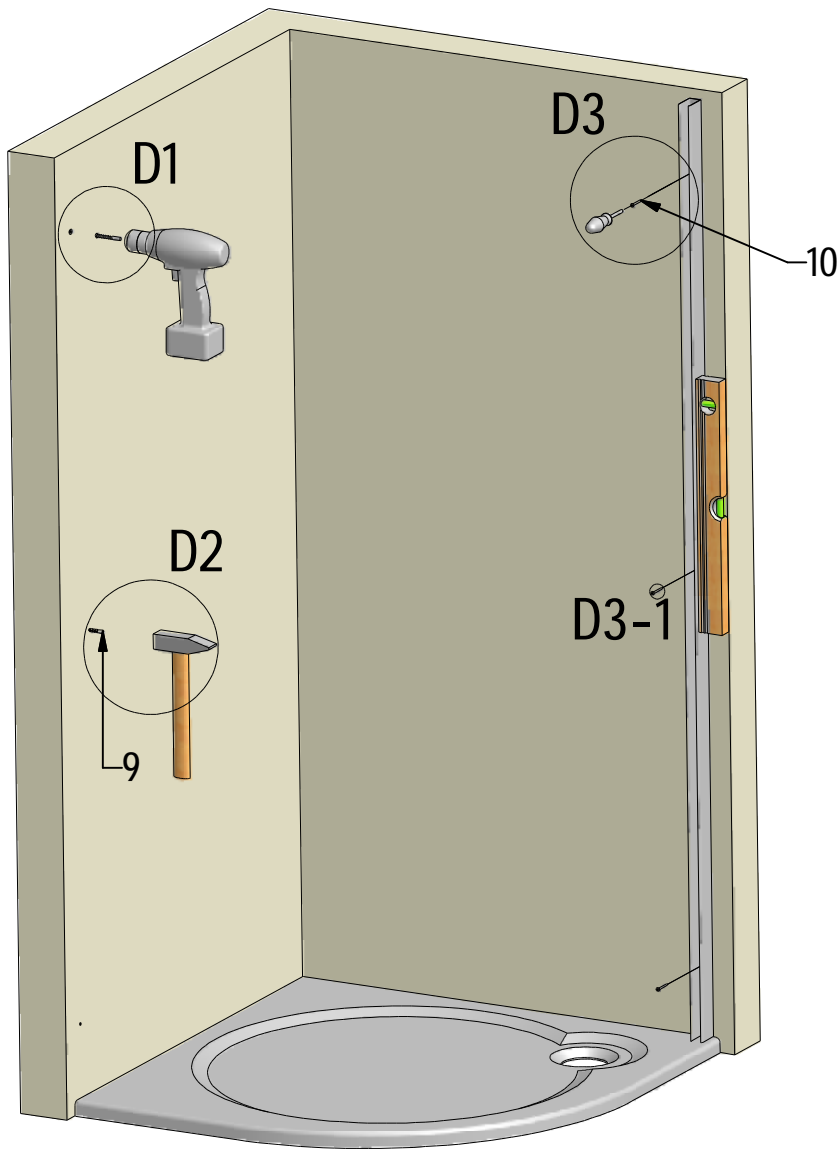


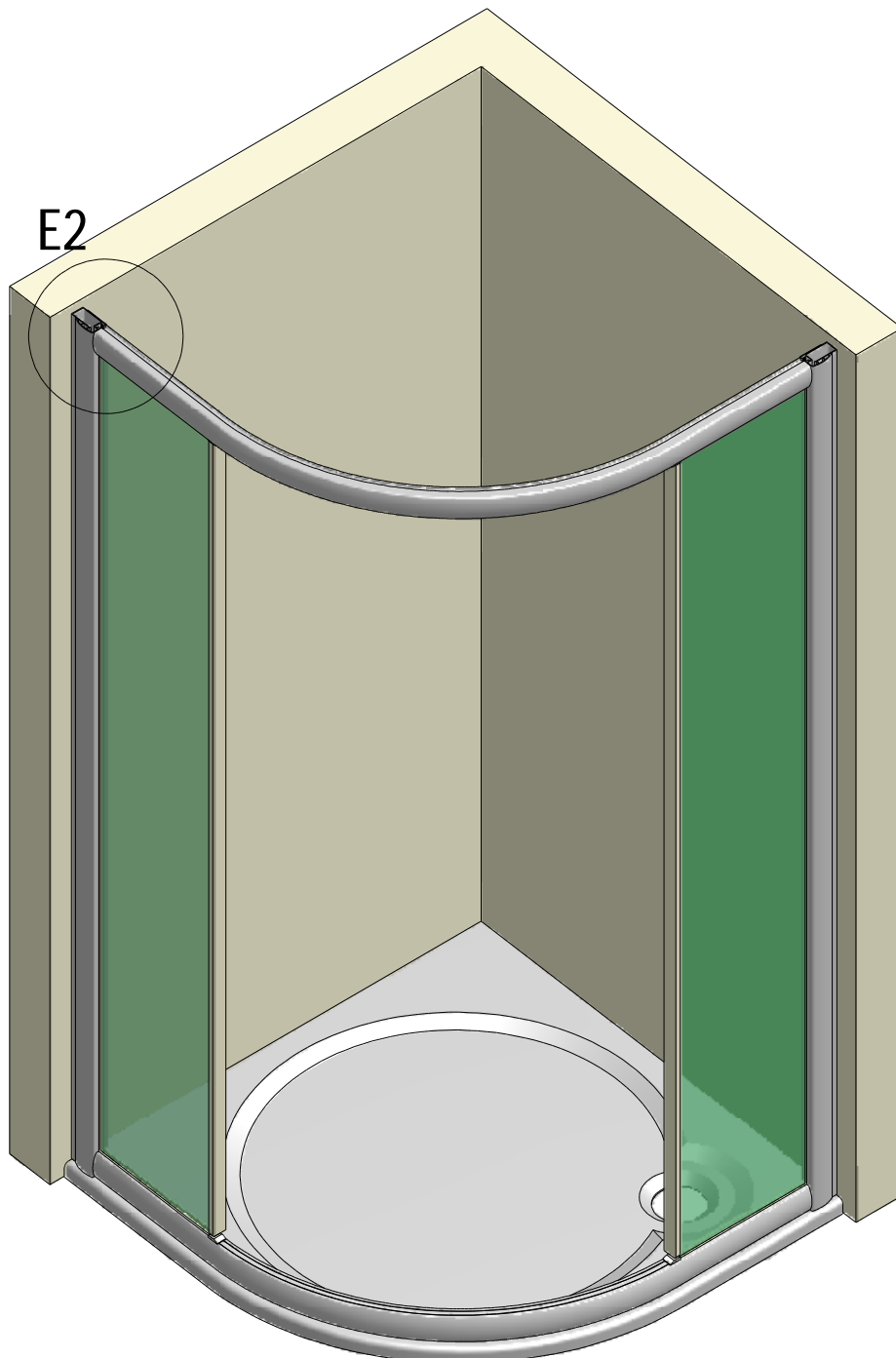
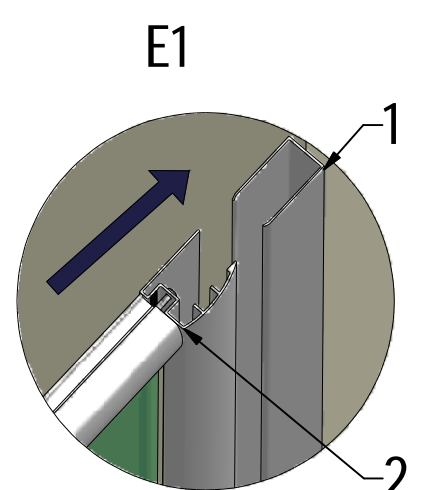
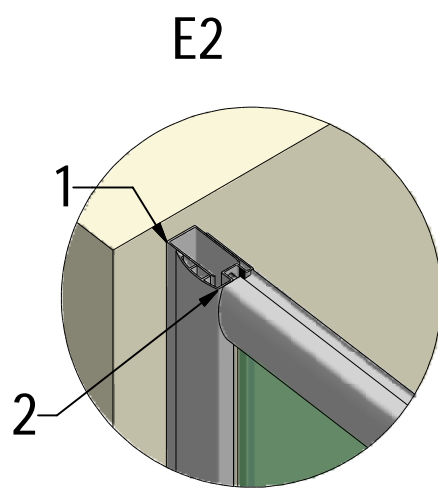
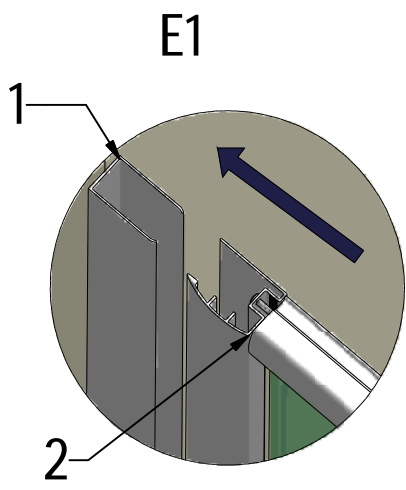


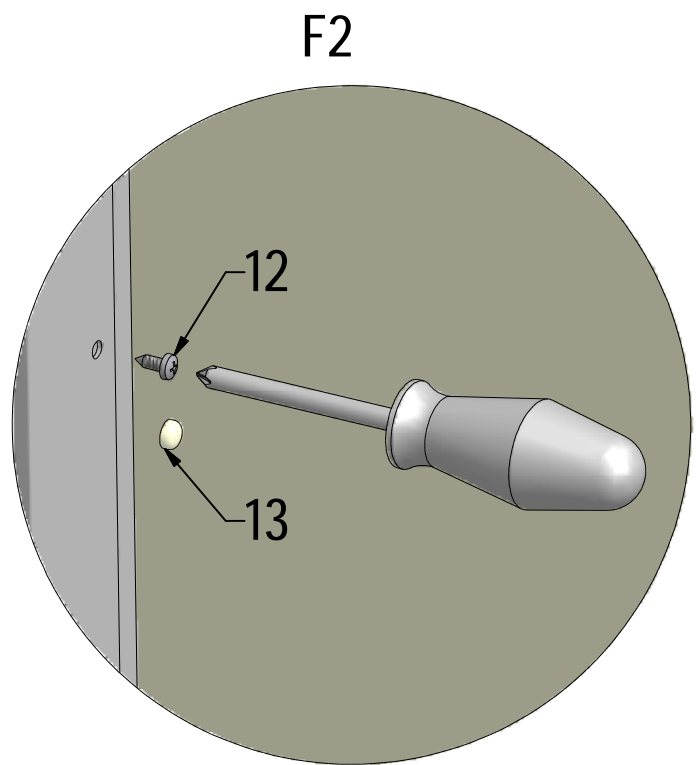
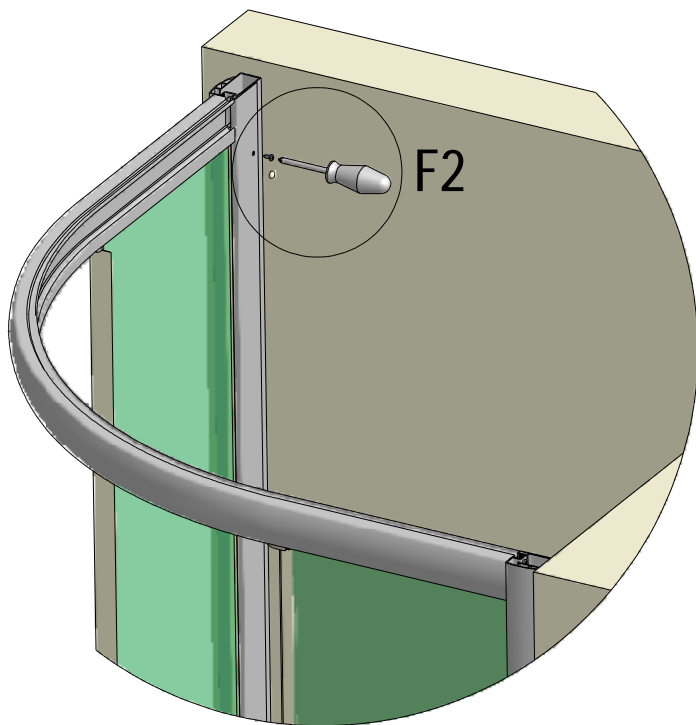
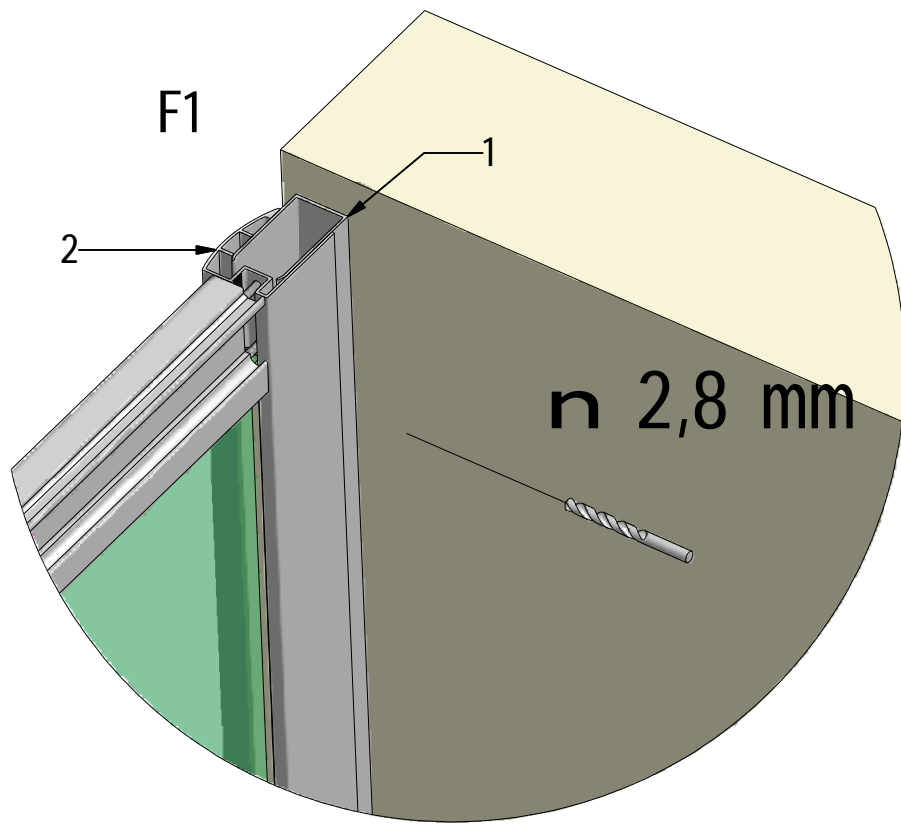


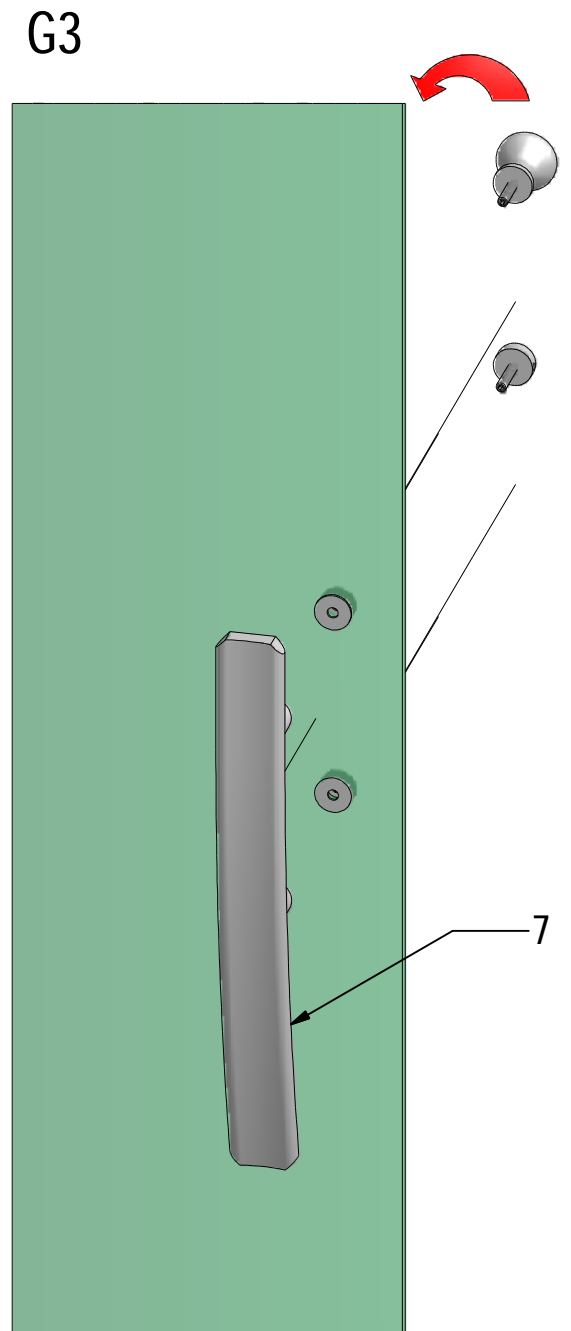
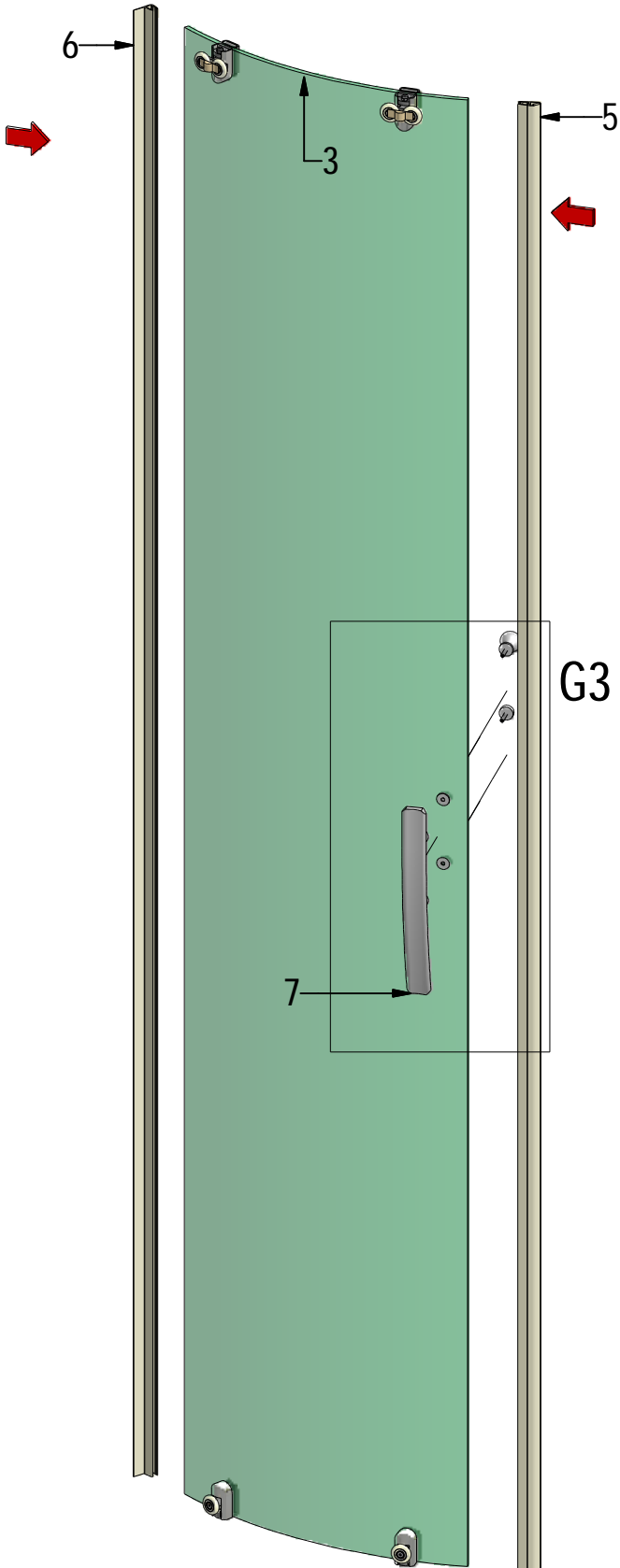
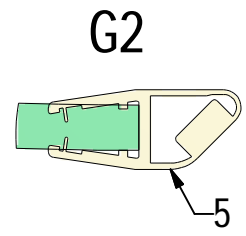
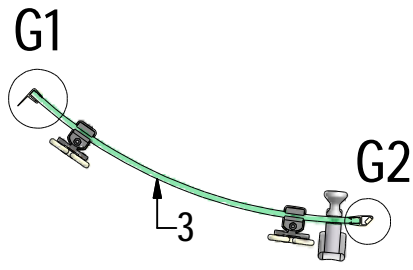
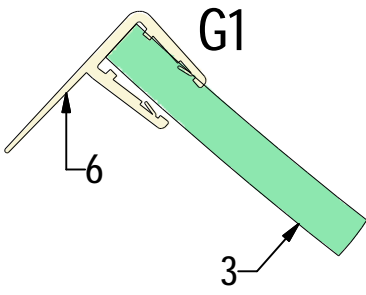
6 x

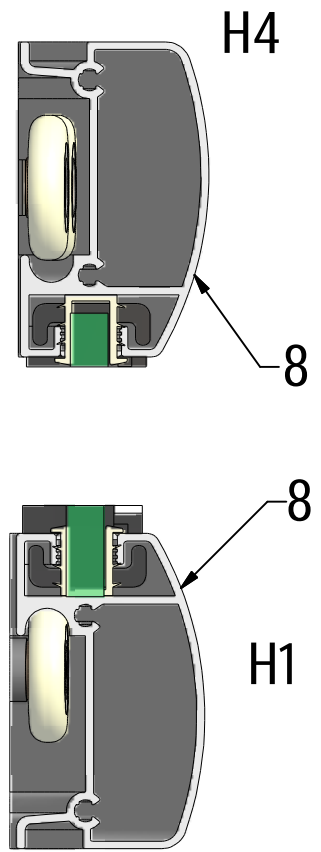
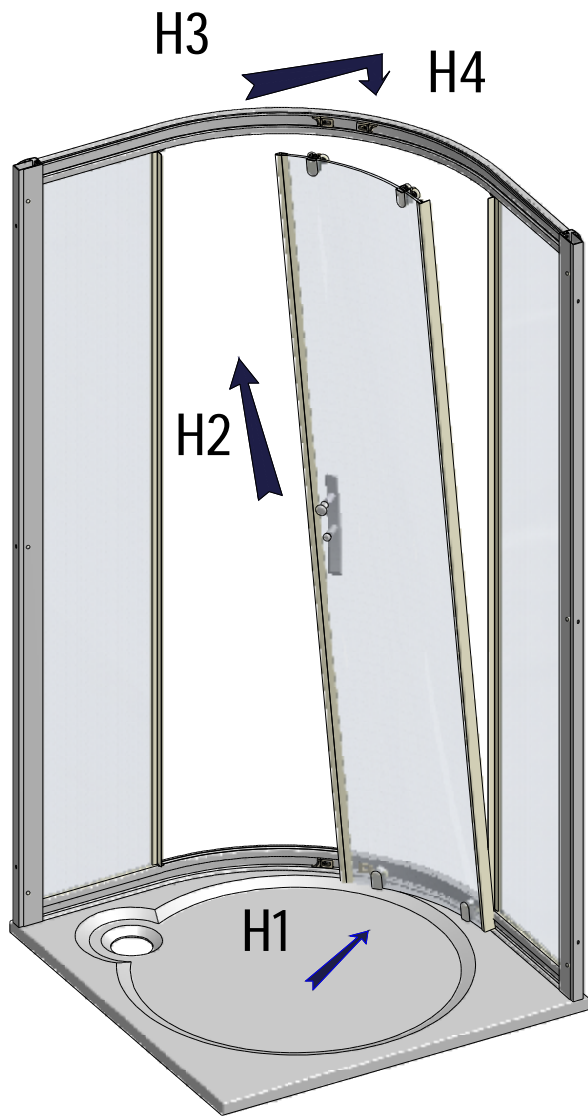






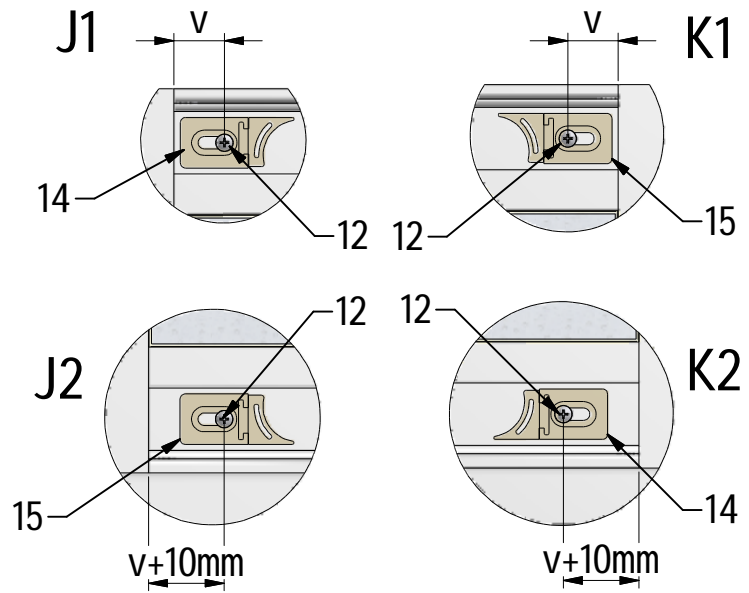
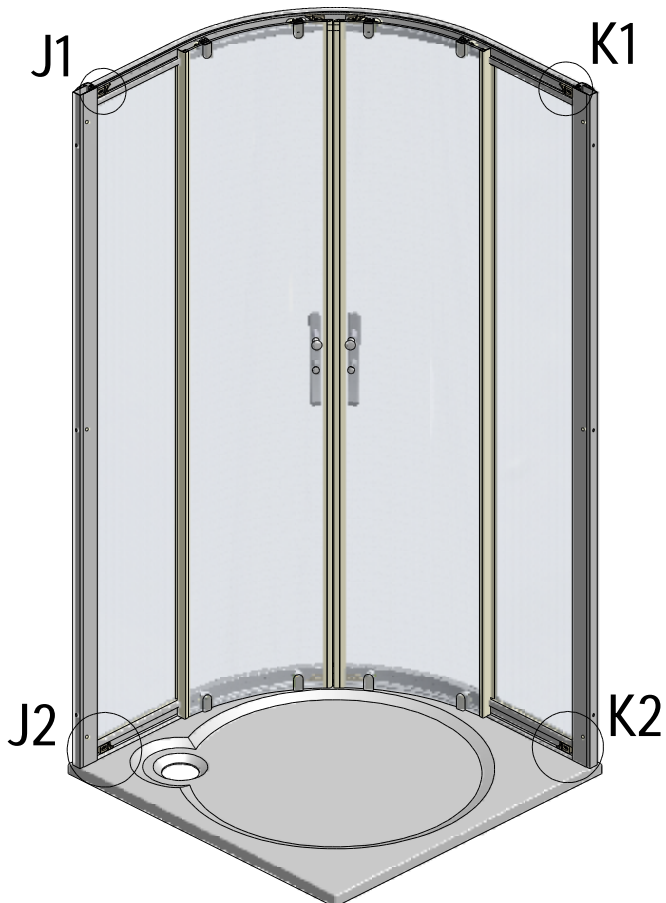




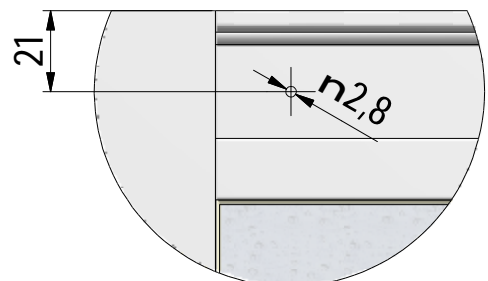


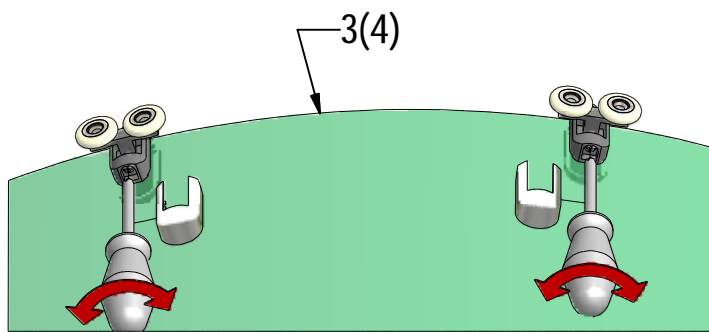
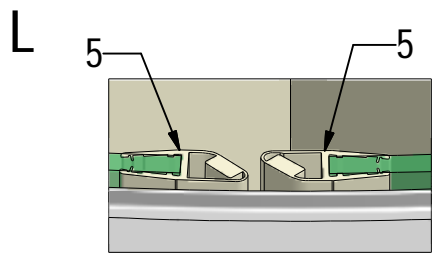
PXR2N/1000

v=120mm

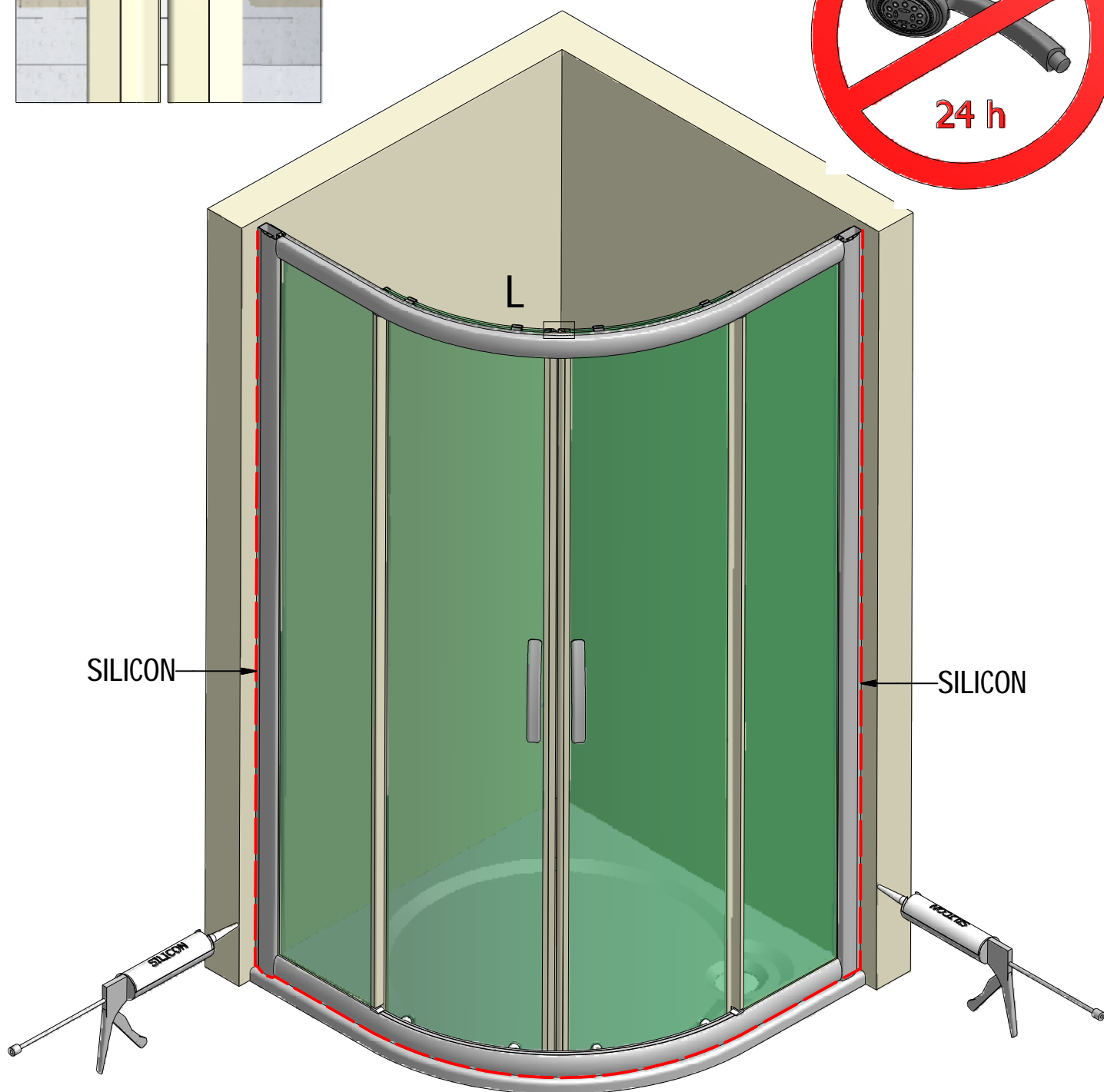
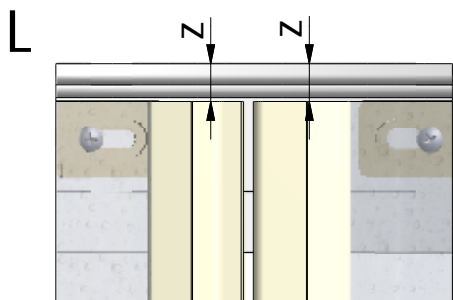


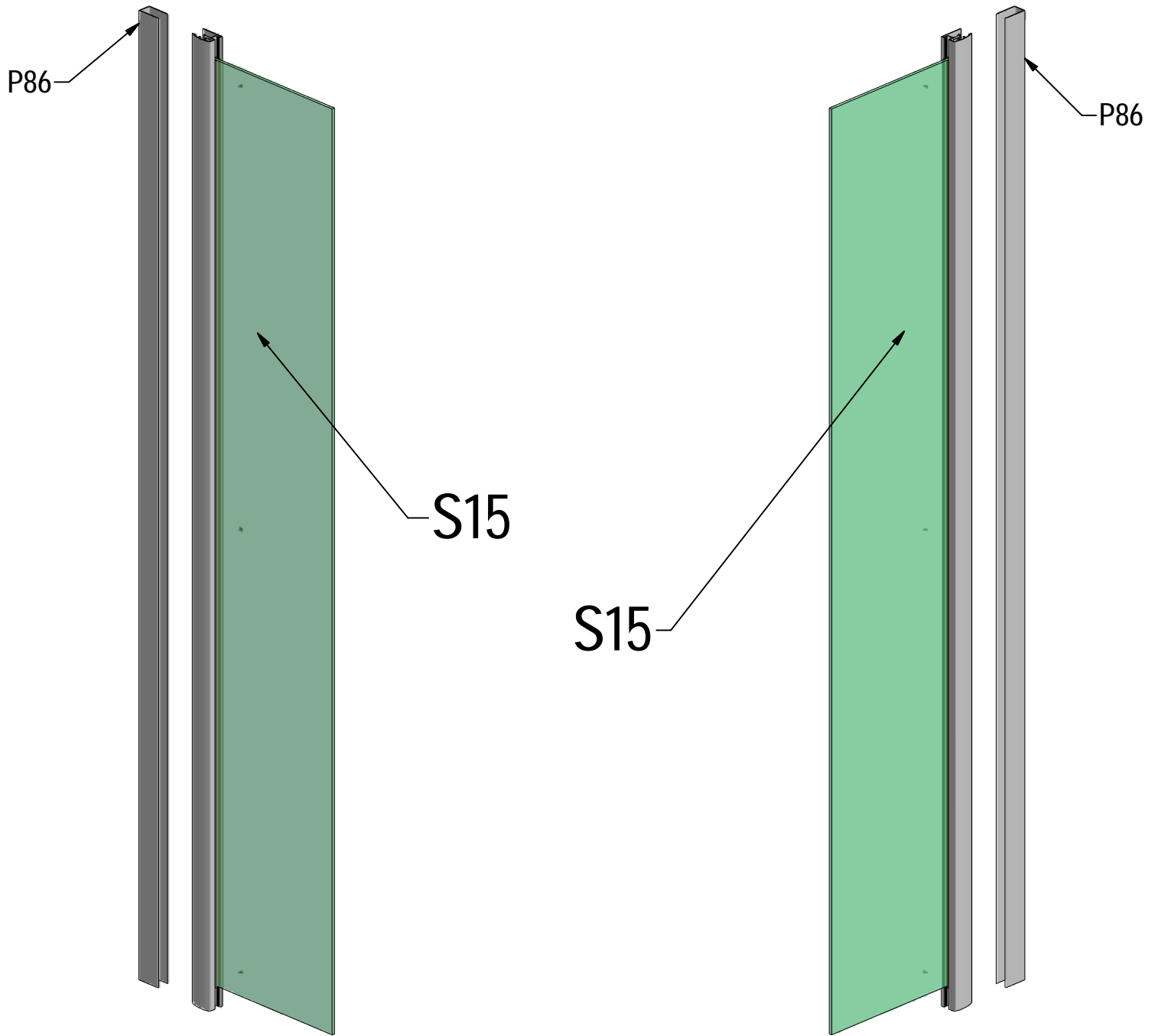
J;K

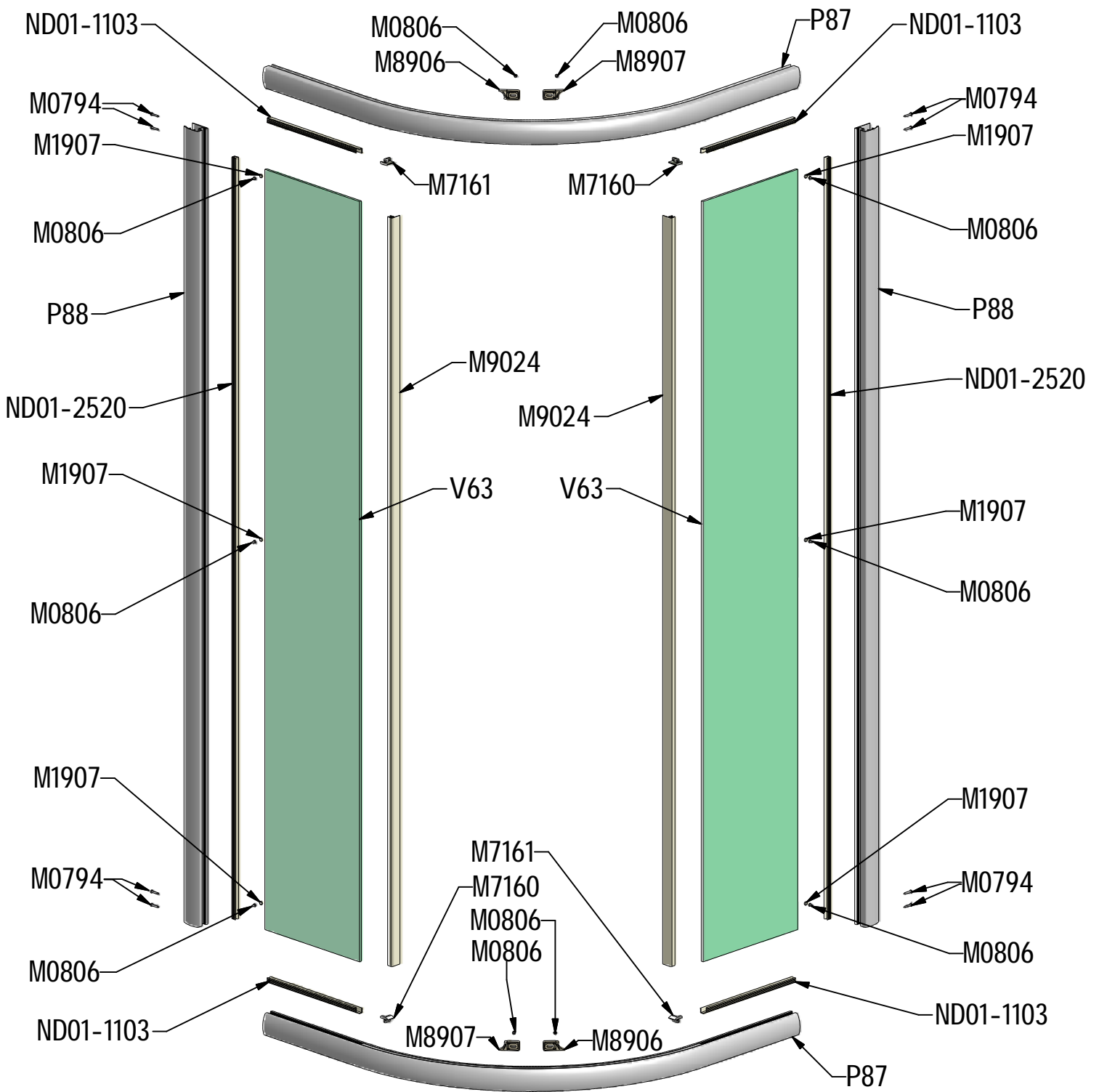


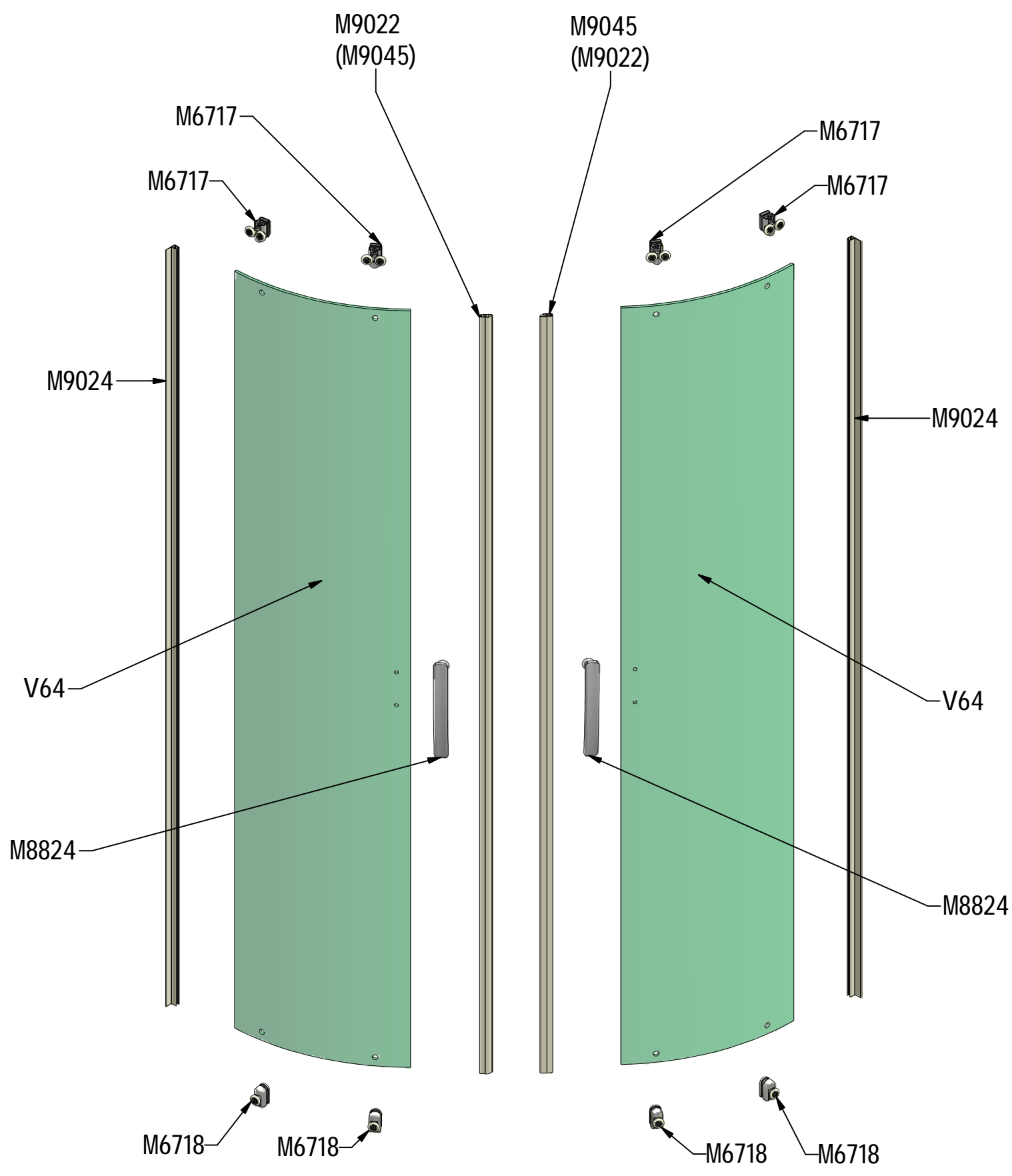


$z=z(z \sim 10\text{mm})$









| | | | |
|-------------------------|---------------------------|---------------------------|----------------------|
| S15 | 800/1850 | brillant/clear glass | ND03-0246-00-02 |
| | | brillant/satinato glass | ND03-0246-00-15 |
| | 800/2000 | brillant/clear glass | ND03-0412-00-02 |
| | | 900/1850 | brillant/clear glass |
| | brillant/satinato glass | | ND03-0247-00-15 |
| | brillant/chinchilla glass | | ND03-0247-00-03 |
| | 900/2000 | brillant/clear glass | ND03-0413-00-02 |
| | | brillant/chinchilla glass | ND03-0413-00-03 |
| | | brillant/priting glass | ND03-0413-00-17 |
| | 1000/1850 | brillant/clear glass | ND03-0248-00-02 |
| brillant/satinato glass | | ND03-0248-00-15 | |
| 1000/2000 | brillant/clear glass | ND03-0414-00-02 | |

| | | | |
|-----|---------|--|-------|
| P86 | 1850 mm | | P2871 |
| | 2000 mm | | P2873 |

| | | | |
|-----|------|--|-------|
| P87 | 800 | | M8031 |
| | 900 | | M7651 |
| | 1000 | | M8032 |

| | | | |
|-----|---------|--|-------|
| P88 | 1850 mm | | P2872 |
| | 2000 mm | | P2863 |

| | | | |
|-----|------------------|------------------|-----------------|
| V63 | 800/1850 | clear glass | ND03-0415-00-02 |
| | | satinato glass | ND03-0415-00-15 |
| | 800/2000 | clear glass | ND03-0418-00-02 |
| | | 900/1850 | clear glass |
| | satinato glass | | ND03-0416-00-15 |
| | chinchilla glass | | ND03-0416-00-03 |
| | 900/2000 | clear glass | ND03-0419-00-02 |
| | | chinchilla glass | ND03-0419-00-03 |
| | | priting glass | ND03-0419-00-17 |
| | 1000/1850 | clear glass | ND03-0417-00-02 |
| | | satinato glass | ND03-0417-00-15 |
| | 1000/2000 | clear glass | ND03-0420-00-02 |

| | | | |
|-----|-------------------|------------------|-----------------|
| V64 | 800;900;1000/1850 | clear glass | ND02-0566-00-02 |
| | | satinato glass | ND02-0566-00-15 |
| | | chinchilla glass | ND02-0566-00-03 |
| | 800;900;1000/2000 | clear glass | ND02-0567-00-02 |
| | | chinchilla glass | ND02-0567-00-03 |
| | | priting glass | ND02-0567-00-17 |